

Continental



Refrigerator

FRONT BREATHER WORKTOP FREEZERS

Utilizing Environmentally Safe, CFC-free R-404A Refrigerant



Models Available

- Model SWF27-FB
- Model SWF27-BS-FB
- Model SWF48-FB
- Model SWF48-BS-FB
- Model SWF60-FB
- Model SWF60-BS-FB

Standard Features

- Unique Field Assembled, Bottom Mounted Ventilation System Designed To Allow Cabinets To Be Flush Against A Wall Or Built Into A Counter To Conserve Space
- Modern, State-of-the Art Styling
- Performance Rated Refrigeration System Utilizing Environmentally Safe R-404A Refrigerant
- Unique Airflow Distribution Keeps Product at Uniformly Constant Temperatures
- Easily Serviceable Back Mounted Compressor
- 2" Non-CFC Polyurethane Foam Insulation
- Spring Loaded, Self Closing Door
- Magnetic Snap-In Gasket
- 3 $\frac{5}{8}$ " Casters
- Heavy-Duty, Epoxy-Coated Steel Shelves
- Interior Hanging Thermometer
- Cabinet Construction Consisting of Stainless Steel Front & Top, Aluminum End Panels, Case Back & Interior
- Non-Corrosive, Plasticized Fin Evaporator Coil
- Completely Enclosed, Vented & Removable Case Back
- Automatic, Energy Saving, Non-Electric Condensate Disposal
- Automatic Electric Defrost
- 10 ft Cord and Plug Attached

Optional Features & Accessories

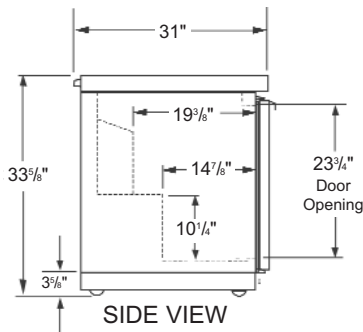
- Remote Models-R
- Stainless Steel End Panels-SA Models
- Stainless Steel Interior & Exterior-SS Models
- Electric Condensate
- Additional Shelves
- Single Over Shelf
- Double Over Shelf
- Door Locks



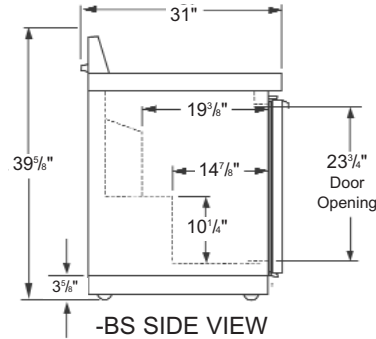


FREEZERS

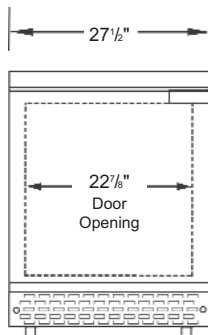
MODEL	CU.FT.	EXT.DIM. (WxDxH)	SHELF AREA	SHELVES	DOORS	HP	VOLTS	AMPS	FANS	SHIP WGHT (lbs)
SWF27-FB	7.4	27 $\frac{1}{2}$ x30x33 $\frac{5}{8}$	3.5	1	1	$\frac{1}{4}$	115	5.9	1	168
SWF27-BS-FB	7.4	27 $\frac{1}{2}$ x30x39 $\frac{5}{8}$	3.5	1	1	$\frac{1}{4}$	115	5.9	1	170
SWF48-FB	13.4	48x30x33 $\frac{5}{8}$	6.8	2	2	$\frac{1}{3}$	115	7.6	2	248
SWF48-BS-FB	13.4	48x30x39 $\frac{5}{8}$	6.8	2	2	$\frac{1}{3}$	115	7.6	2	255
SWF60-FB	17.0	60x30x33 $\frac{5}{8}$	8.1	2	2	$\frac{1}{3}$	115	7.8	2	284
SWF60-BS-FB	17.0	60x30x39 $\frac{5}{8}$	8.1	2	2	$\frac{1}{3}$	115	7.8	2	297



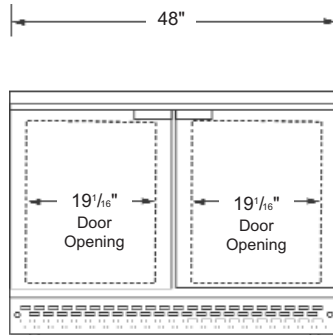
SIDE VIEW



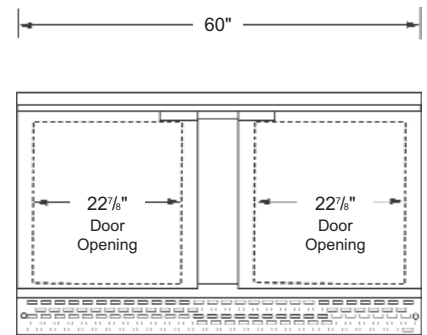
-BS SIDE VIEW



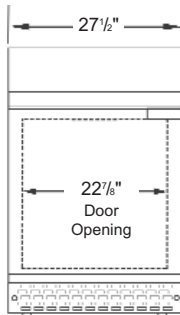
SWF27-FB Front View



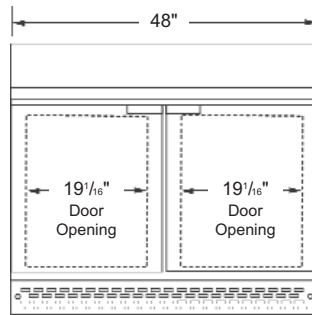
SWF48-FB Front View



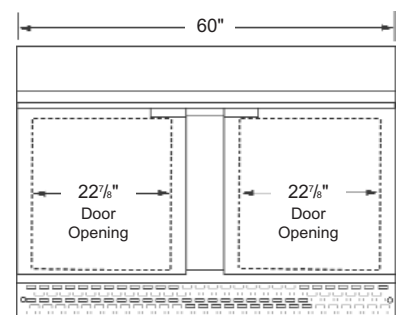
SWF60-FB Front View



SWF27-BS-FB Front View



SWF48-BS-FB Front View



SWF60-BS-FB Front View

Continental

Refrigerator

A Division of National Refrigeration & A/C Products, Inc.
 539 Dunksferry Road Bensalem, PA 19020
 (800) 523-7138 Fax: (215) 244-9579
www.continentalrefrigerator.com